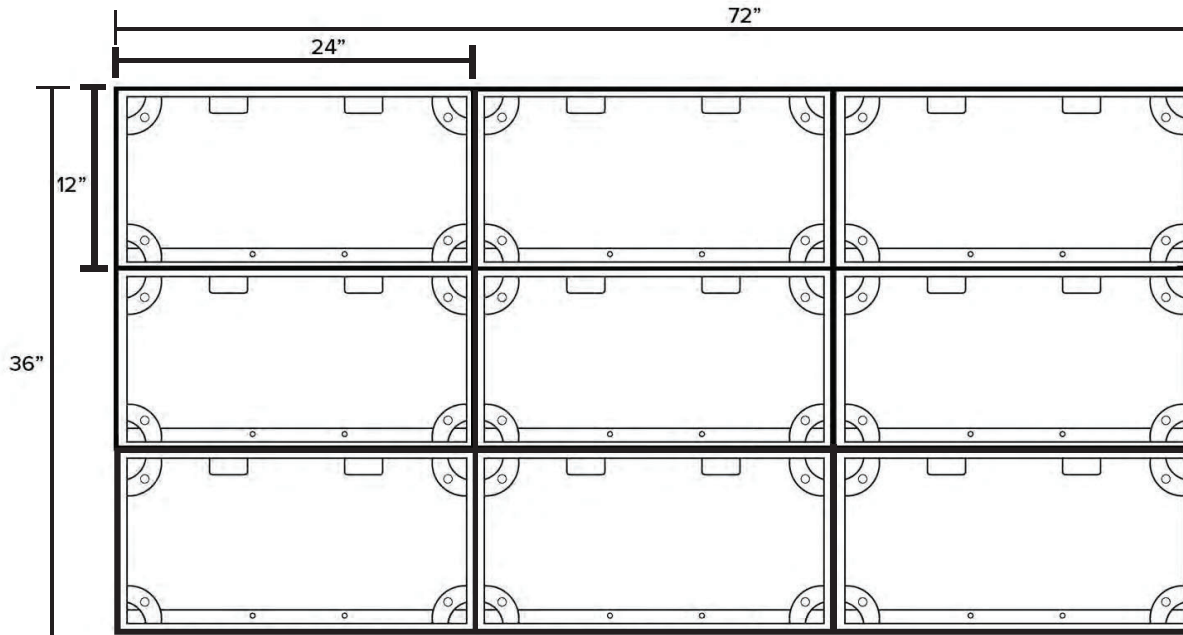
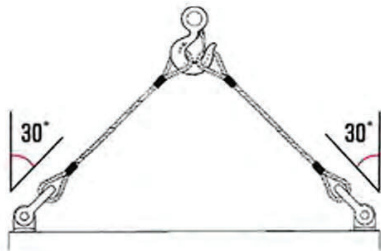




Must lift final assembled sign with a minimum of two lifting points. 330 maximum lbs per lifting pin.



**MASTER DISPLAY REAR VIEW**



**SHACKLE ATTACHMENT**

The shackle cables should connect to the lifting pins at an angle of 30 degrees or less to prevent damage to the cabinet frame. Spreader bar should be used when three or more lifting pins are required per face.

Parts List	Single Face	Double Face
Module	9	18
Controller	1	1
Controller Cable Kit	1	2
Boost Power Cable	0	0

**AND**

Option 1: Single Frame Assembly	Single Face	Double Face
1' x 2' Frame	9	18
1' x 2' Frame Door (Optional)	9	18

**OR**

Option 2: Mixed Frame Assembly	Single Face	Double Face
1' x 2' Frame	5	10
1' x 2' Frame Door (Optional)	5	10
2' x 4' Frame	1	2
2' x 4' Frame Door (Optional)	2	4

Display Weight	Maximum lbs	Maximum lbs per lifting pin	Number of Pins Per Face
Single Face	153.3	330	2
Double Face	306.6	N/A	N/A

**CAUTION**



Wire modules in order as shown on the diagram

Maximum Amperage per circuit: 16 Amps @120V

STAX Boost Power Continuation Cable found in (Yellow Labeled bag). Required after the first 12 modules per display face.

STAX Controller Cable Kit found in (Red Labeled bag). One cable kit per display face. Includes one Primary Controller Power Cable and one 1st Module Data Cable

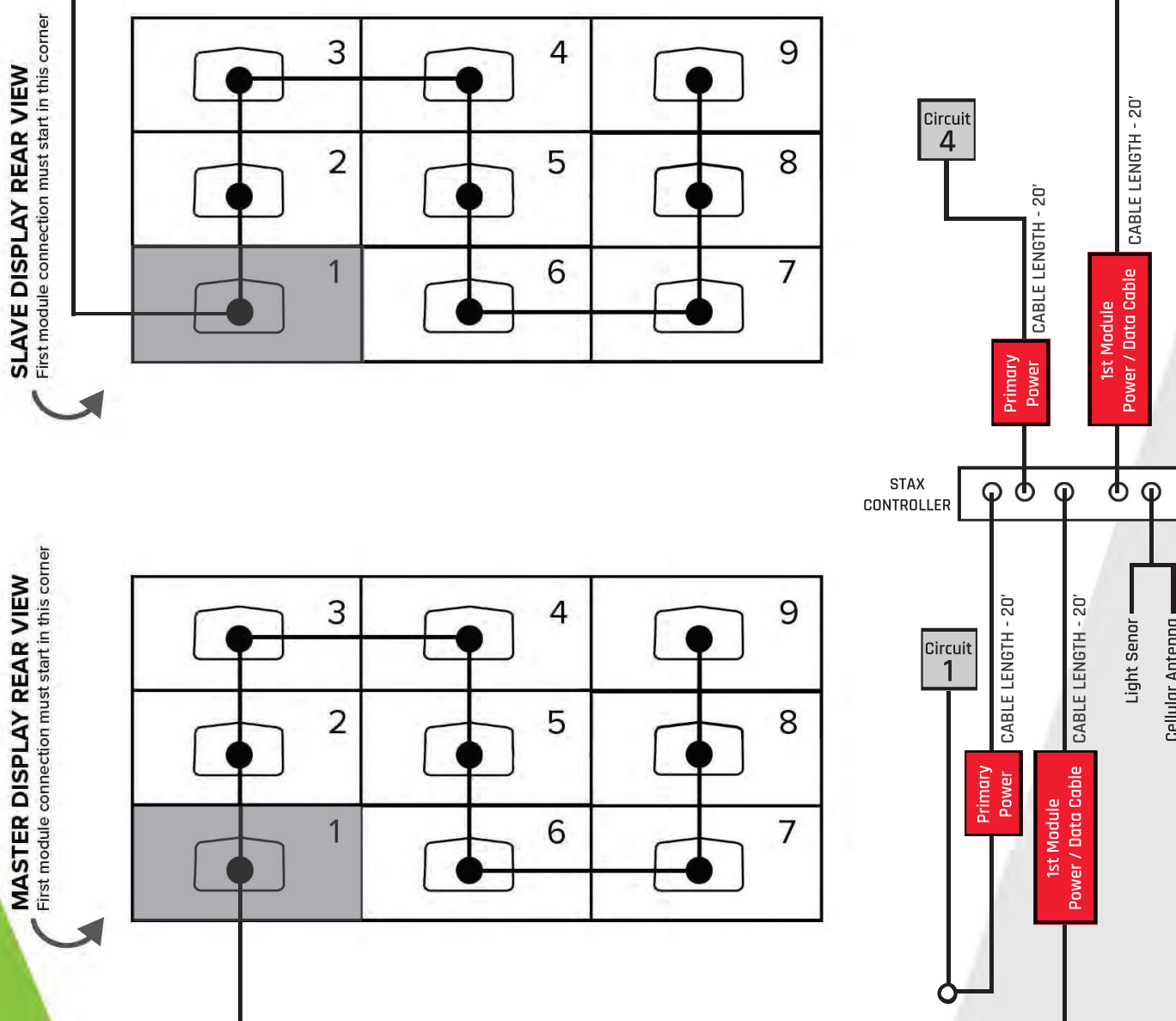
Multiple circuits can be connected together and share a breaker. Multiple circuits may share the same neutrals. Please follow your local NEC Codes

Master Display

Circuit	Max Watts	Avg Watts	Amps @120V
1	1458	711	5.9
2			
3			
Total	1458	711	5.9

Slave Display

Circuit	Max Watts	Avg Watts	Amps @120V
4	1458	711	5.9
5			
6			
Total	1458	711	5.9



**SLAVE DISPLAY REAR VIEW**  
First module connection must start in this corner

**MASTER DISPLAY REAR VIEW**  
First module connection must start in this corner